

## Spring- or domeloaded back-pressure regulator

for medium and high flow application

## DV6 Series

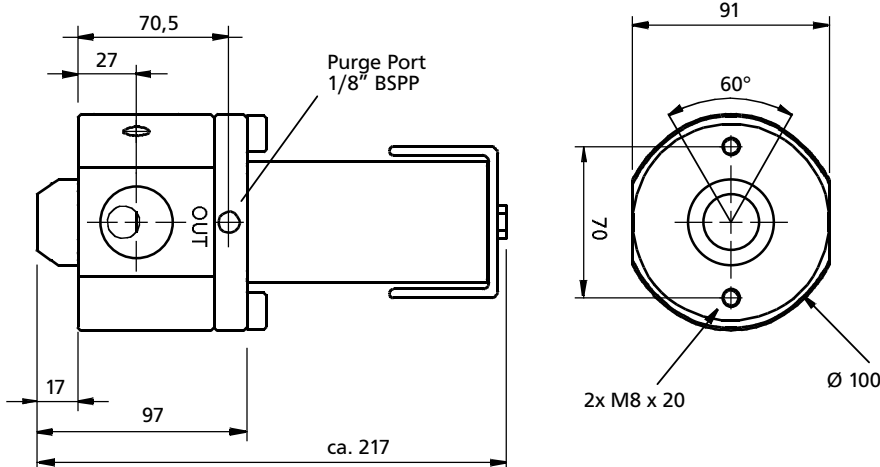
End connections: 1" BSPP  
Regulating ranges up to 100 bar

### Options:

Gauge ports  
Gas sealed spring housing  
Cap for set-screw  
Handwheel  
Balanced poppet

### Documentation:

EN 10204-2.2 standard  
3.1 B upon request



- **Spring loaded:**
- **Piston sensing:** Regulating range max. 40 bar
- **Diaphragm sensing:** Regulating range max. 40 bar
- **Dome loaded:** Regulating range max. 100 bar
- **Materials:** brass or st.st. (wetted parts)
- **Elastomeres:** Buna-N, Viton, EPR, PTFE (except piston sensing)
- **Seat insert:** Buna-N, Viton, EPR, PTFE
- **Seat-Ø:** 16 mm
- **Mounting:** 2 mounting threads in valve body
- **Operating temperature:** -10°C...+70°C
- **Media:** gaseous or liquid (compatible with materials of construction)
- **Gewicht:** ca. 4 kg

### What we would like to know:

Downstream pressure: \_\_\_\_\_ constant / changing

Regulating range called for: \_\_\_\_\_ Temperature: \_\_\_\_\_

Media: \_\_\_\_\_ Flow: \_\_\_\_\_

Application: \_\_\_\_\_

**Note:** We recommend filtration of fluid at approx. 25µ close before the regulator

DRUKON  
Druck-Kontrolltechnik GmbH  
Hauptstraße 29  
02794 Spitzkunnersdorf

Tel. +49 35842/2 76 30  
Fax +49 35842/2 76 31

e-mail: info@drukcon.de  
www.drukcon.de