

Compact, springloaded back-pressure regulator

for small and medium flow. Universal application
(differential back-pressure regulator; pilot operation)

Options:

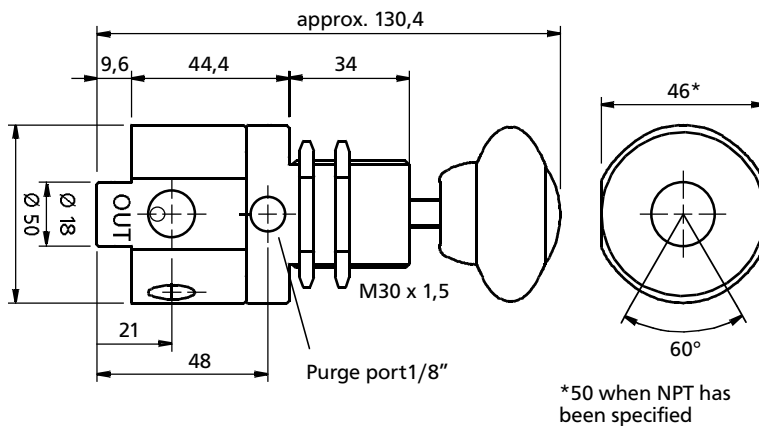
Gauge ports
Gas sealed spring housing
(no handwheel)
Cap for set-screws
Handwheel
Rings for panel mount
Special materials:
POM30GF or PVDF

Documentation:

EN 10204-2.2 standard
3.1 B upon request

DV3 Series

end-connections: 1/4"
Regulating range up to 120 bar



- **Spring loaded**
- **Piston sensing:** regulating ranges max. 120 bar
- **Diaphragm sensing:** regulating ranges max. 12 bar
- **Material:** brass, st.st. (wetted parts)
- **Elastomers:** Buna-N, Viton, EPR, PTFE (except piston sensing)
- **Valve seat:** PTFE, TFM, Kel-F, Peek, Torlon
- **Seat-Ø:** 2,5mm / 3,5 mm
- **Mounting:** Panel mount
- **Operating temperature:** -10°C...+70°C
- **Media:** gaseous or liquid (compatible with materials of construction)
- **Weight:** approx. 0,5 kg
- **Threads:** BSPP female
NPT female

What we would like to know:

downstream pressure: _____ constant / changing

regulating range called for: _____ Temperature: _____

Media: _____ Flow: _____

Application: _____

Note: We recommend filtration of fluid at approx. 25µ close before the regulator

DRUKON
Druck-Kontrolltechnik GmbH
Hauptstraße 29
02794 Spitzkunnersdorf

Tel. +49 35842/2 76 30
Fax +49 35842/2 76 31

e-mail: info@drukun.de
www.drukun.de