

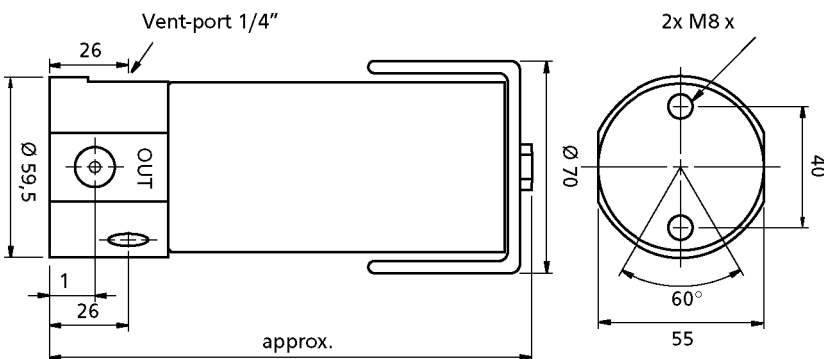
Back-Pressure Regulator, spring-loaded

DHV5 Series

end-connections: 1/4" BSPP
Regulating range up to 500 bar

Options:
Gauge ports
Gas-sealed spring-housing
Cap for set screw
Handwheel

Documentation:
EN 10204-2.2 standard
3.1 B upon request



- Spring-loaded
- Piston-sensing: Regulating range max. 500 bar
- Diaphragm-sensing: upon request
- Materials:
Body CuAl10Ni (2.0966)
Trim: brass and / or st.st.
- Elastomers: Buna-N, Viton, EPDR
- Seat: PTFE, TFM, Kel-F, Peek, Torlon
- Seat- \varnothing : 2,5mm / 3,5 mm
- Mounting: metric threads in valve-body
- Operating temperature: -10°C...+70°C
- Media: Gases or liquids (compatible with materials of construction)

What we would like to know:

downstream pressure: _____ constant / changing

regulating range called for: _____ Temperature: _____

Media: _____ Flow: _____

Application: _____

Note: We recommend filtration of fluid at approx. 25 μ close before the regulator

DRUKON
Druck-Kontrolltechnik
GmbH
Hauptstraße 29
02794 Spitzkunnersdorf

Tel. 035842/2 76 30
Fax 035842/2 76 31

e-mail: info@drukond.de