

Compact Pressure Reducer

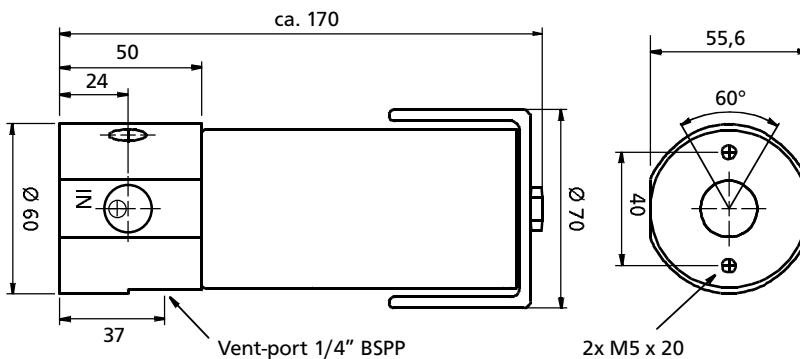
for medium flow

D7 Series

End connections: 3/8" BSPP
 Inlet pressures up to 250 bar
 Outlet ranges up to 1250 bar

Options:
 Gauge ports
 Self-venting standard
 Gas-sealed spring-housing
 Cap for set-screw
 Handwheel
 Inlet pressure: 400 bar
 Wetted parts in st.st. upon request

Documentation:
 EN 10204-2.2 standard



- **Spring-loaded**
- **Diaphragm-sensing:** 0 – 10 bar
- **Piston-sensing:** 2 - 250 bar
- **Materials:** body brass 2.0401, trim st.st. or brass
- **Elastomeres:** Buna-N, Viton, EPR
- **Seat-material:** TFM, Kel-F, Peek or Torlon
- **Seat-Ø:** 7,5 mm, balanced
2,0 mm
- **Mounting:** Mounting holes in valve-body
- **Operating temperature:** -15°C...+70°C
- **Medium:** gases or liquids compatible with materials of construction
- **Gewicht:** ca. 3 kg

What we would like to know:

Inlet pressure _____ constant/changing

Outlet pressure called for: _____ Temperature: _____

Medium : _____ Flow: _____

Application: _____

Note: We recommend filtration of media down to 25 µ

DRUKON
 Druck-Kontrolltechnik GmbH
 Hauptstraße 29
 02794 Spitzkunnersdorf

Tel. +49 35842/2 76 30
 Fax +49 35842/2 76 31

e-mail: info@drukun.de
 www.drukun.de