

## Spring- or domeloaded Pressure Reducer

for medium and high flow

### Options:

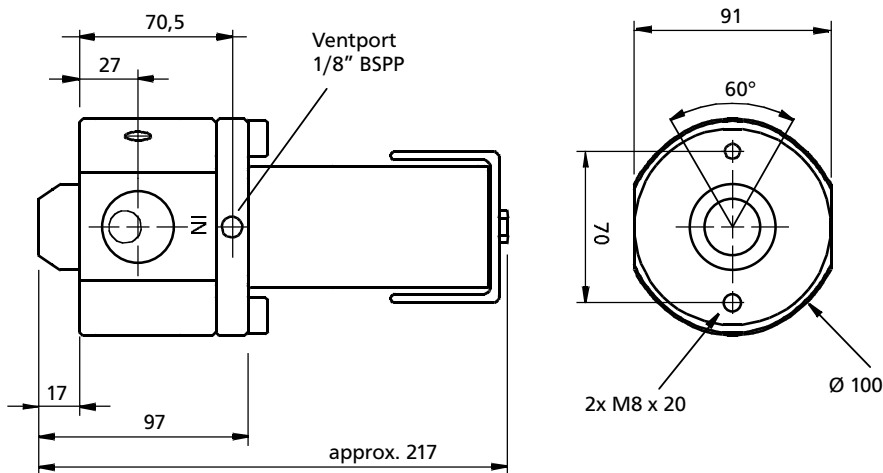
Gauge ports  
gas-sealed spring-housing  
Cap for set-screw  
Handwheel  
Very low outlet range beginning with 0,05 bar

### Documentation:

EN 10204-2.2 standard  
3.1 B upon request

## D6 Series

End connections: 1" BSPP  
Inlet pressures up to 250 bar  
Outlet ranges up to 100 bar



- **Spring-loaded**
- **Piston-sensing:** Outlet ranges max. 60 bar
- **Diaphragm-sensing:** Outlet ranges max. 45 bar
- **Dome-loaded:** Outlet ranges max. 100 bar
- **Material:** brass or st.st. 1.4404
- **Elastomeres:** Buna-N, Viton, EPR;
- **Seat inserts:** Peek, Kel-F, TFM, Torlon
- **Seat-ø:** 16 mm, balanced  
7,5 mm, balanced  
9 mm, balanced
- **Mounting:** Mounting threads in valve-body
- **Operating temperature:** -15°C...+70°C
- **Medium:** gases or liquids (compatible with material of construction)
- **Weight:** approx. 3,5 kg

### What we would like to know:

Inlet pressure \_\_\_\_\_ constant/changing

Outlet pressure called for: \_\_\_\_\_ Temperature: \_\_\_\_\_

Medium : \_\_\_\_\_ Flow: \_\_\_\_\_

Application: \_\_\_\_\_

**Note:** We recommend filtration of media down to 25 µ

DRUKON  
Druck-Kontrolltechnik GmbH  
Hauptstraße 29  
02794 Spitzkunnersdorf

Tel. +49 35842/2 76 30  
Fax +49 35842/2 76 31

e-mail: info@drukun.de  
www.drukun.de