

Compact, domeloaded pressure reducer Cartridge

for small and medium flow.
Reduced 'dead' volume, no spring wetted

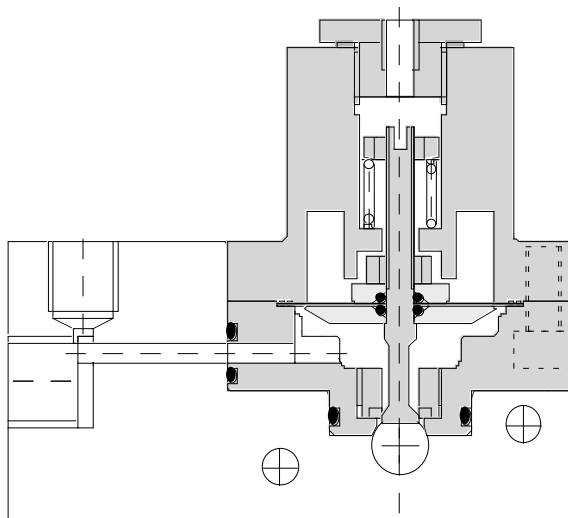
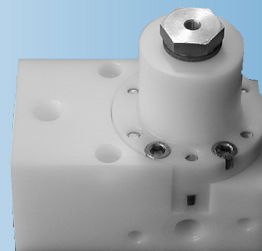
Options:

Manifold to specification
Springloaded version
Special materials like
Hastelloy oder PVDF

Documentation:
EN 10204-2.2 standard
3.1 B upon request

D2 series

End connection: Cartridge
Inlet pressures up to 80 bar
Regulating range up to 60 bar



- **Pilot operated**
- **Materials:** to specification
- **Elastomers:** to specification
- **Valve seat:** PTFE, TFM, Kel-F, Peek, Torlon
- **Seat- \varnothing :** 4,5mm
- **Mounting:** Cartridge
- **Operating temperature:** -10°C...+70°C
- **Media:** gases or liquied compatible with materials of construction
- **Weigth:** -

What we would like to know:

Inlet pressure _____ constant/changing

Outlet pressure called for: _____ Temperature: _____

Medium : _____ Flow: _____

Application: _____

Note: We recommend filtration of media down to 25 μ

DRUKON
Druck-Kontrolltechnik GmbH
Hauptstraße 29
02794 Spitzkunnersdorf

Tel. +49 35842/2 76 30
Fax +49 35842/2 76 31

e-mail: info@drukon.de
www.drukon.de