

## Domeloaded Pressure Reducer

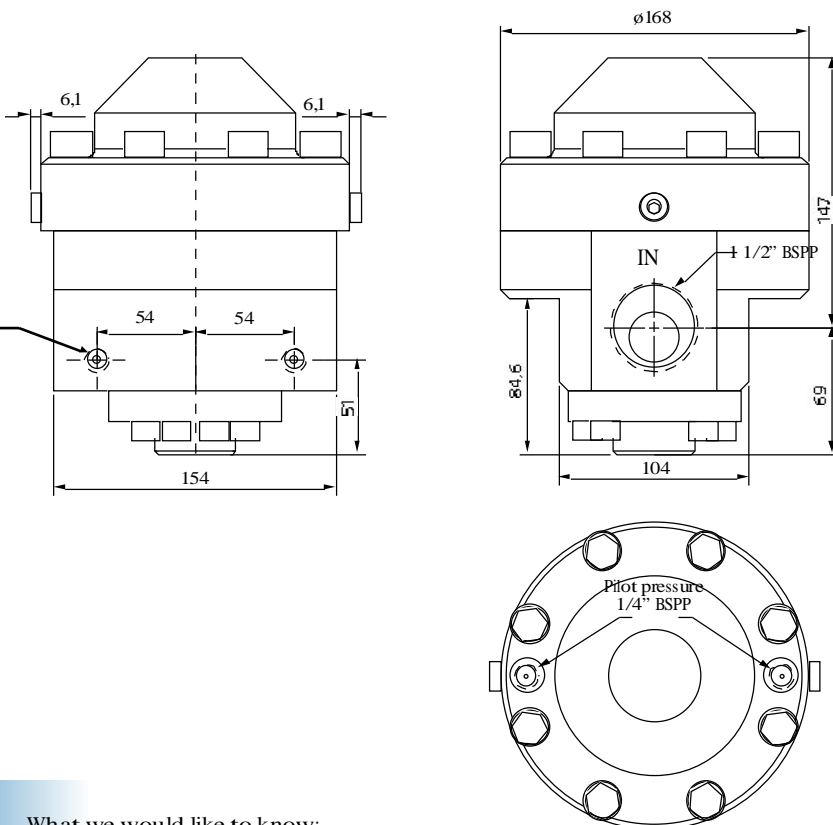
for high flow and high pressures

## D11D Series

Port connections: 1 1/2" BSPP  
 Inlet pressures up to 320 bar  
 Outlet pressures up to 130 bar  
 220 bar: please consult factory

Options:  
 Gauge ports

Documentation:  
 Test Report to EN 10204-3.1B



- Pilot pressure ratio 1:1
- Pilot pressure internally / externally
- Diaphragm sensing
- Material of construction: st.st.
- Elastomeres: Buna-N, Viton, EPR;
- Poppet insert: Kel-F
- Seat-cia: 24,9mm balanced, others upon request
- Operating temp.: -10°C...+70°C
- Media: gases or liquids compatible with materials of construction
- Weight: approx. 19 kg

What we would like to know:

Inlet pressure \_\_\_\_\_ constant/changing

Outlet pressure called for: \_\_\_\_\_ Temperature: \_\_\_\_\_

Medium : \_\_\_\_\_ Flow: \_\_\_\_\_

Application: \_\_\_\_\_

Note: We recommend filtration of media down to 25 µ

DRUKON  
 Druck-Kontrolltechnik GmbH  
 Hauptstraße 29  
 02794 Spitzkunnersdorf

Tel. +49 35842/2 76 30  
 Fax +49 35842/2 76 31

e-mail: info@drukun.de  
 www.drukun.de